

Leading tractor manufacturers around the globe trust and use LH Lift quick coupler hooks

Our hooks are compatible with agricultural tractor standards ISO 2332, ISO 730 and ISO 11001-3

Patented structure and optimized design make our hooks durable and safe to use

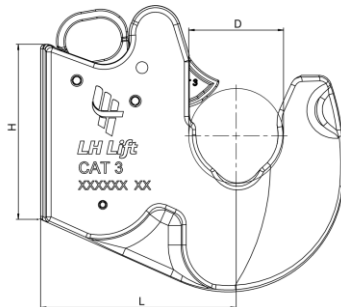
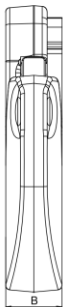
Durability of LH Lift hooks is verified by strength of material, dynamic fatigue testing and continuous quality control

All our quick coupler hooks are designed to persist in the most demanding professional use and high-stress loads

LH Lift hooks are easy to use and maintain



Cat.	D (mm)	L (mm)	B (mm)	H (mm)	Hook P/N	Repair kit P/N
1	44	92	28	82	05172700	05173100
2	56	115	34	100	06932600	07005700
3L	64	132	38	118	06932300	06797400
3	64	132	38	118	05941500	06797400
4	85	176	50	155	06966900	07242800



Essential features:

- ✓ Coupling is secured with patented solution that prevents opening it while mechanism is loaded
- ✓ Patented hook frame protects the opening handle from impacts and collisions
- ✓ Long product lifetime is ensured with high strength material and heat treatment
- ✓ Locking can be opened from the tractor cabin using release cable
- ✓ Locking mechanism can be set to stay open for easier coupling
- ✓ Mechanism is durable and easy to operate
- ✓ Mechanism is protected from dirt
- ✓ Hook locks automatically by spring load
- ✓ Internal parts are easily replaceable
- ✓ Hook locking can be secured with anti-release system
- ✓ Locking mechanism indicates when the coupling is secured
- ✓ Hook frame can be welded using standard welding procedures